



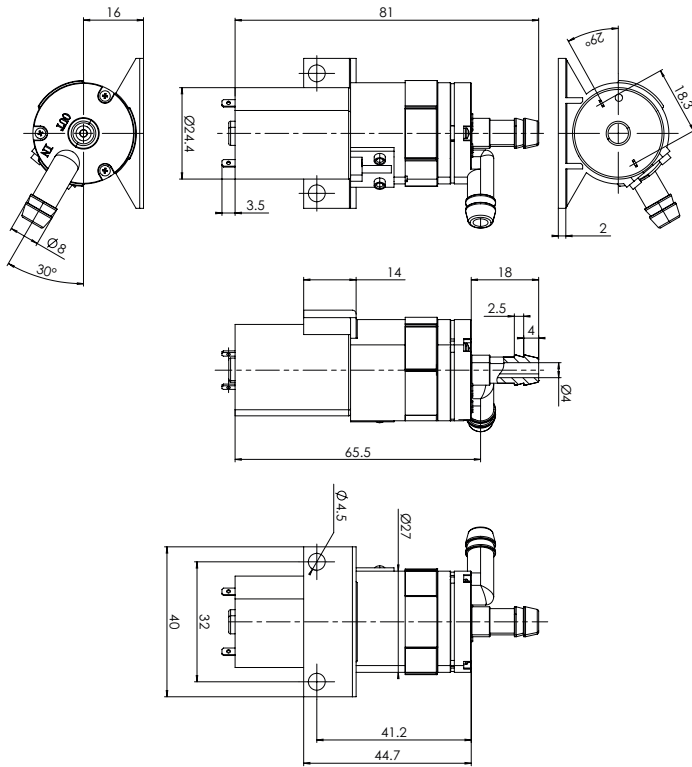
MEMBRANE PUMP

MP 30/20

TECHNICAL DATA



DIMENSIONS



MATERIAL

Pump head PPO / PA

Membrane / valves EPDM

NOMINAL RATED DATA

Max. pressure 2 [bar]

Max. flow rate 30 [l/h]

Suction height -0.3 [bar]

Voltage 12 [VDC]

Weight 65 [g]

Application / Environment Clean Water

Operating Temperature 1...45 [°C]

PERFORMANCES / FLOW CURVE

