



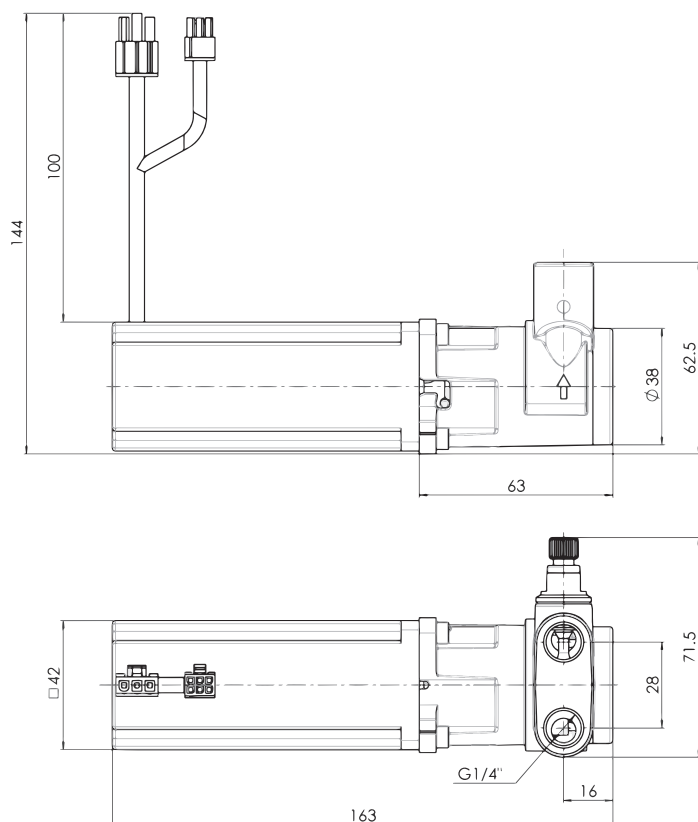
ROTARY VANE PUMP

VP 100M

TECHNICAL DATA



DIMENSIONS



NOMINAL RATED DATA

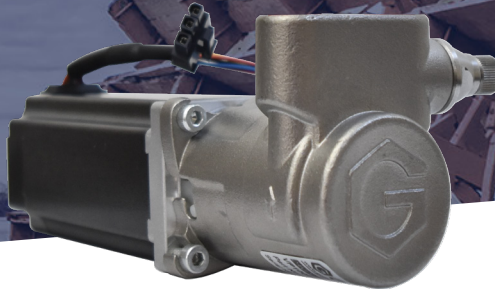
Max. pressure	10[bar]
Max. flow rate (at 2'000 RPM)	≥ 120[l/h]
Pump housing	Stainless steel
Hydraulic connectors	G 1/4" NPT 1/4" (on request)
Rotor	Stainless steel
Bearings & vanes	Graphite
Sealings	EPDM, FKM, FFKM
Overpressure security	Overload valve
Weight	~1200[g]
Fluid temperature	1...70[°C]
Motorization	Brushless motor 24 VDC, 90 [W]
Certification	NSF, EU 1935/2004, GB4806

On request: other motorizations,
other seals materials.

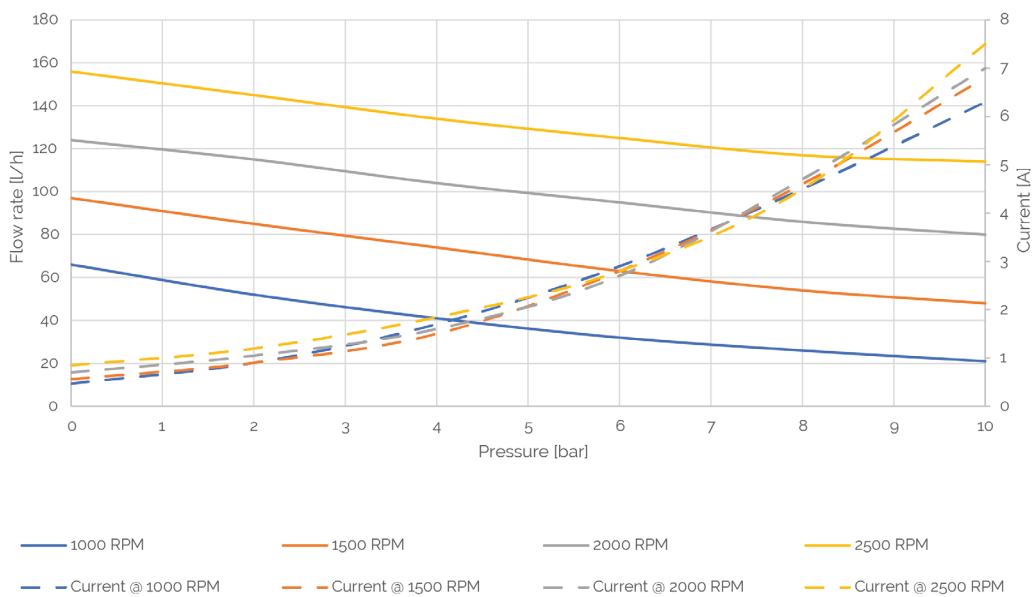


ROTARY VANE PUMP
VP 100M

TECHNICAL
DATA



PERFORMANCE



DESCRIPTION

The VP vane pump is self-priming and delivers a virtually constant flow rate. At a speed of 2000 rpm, achieving a flow rate of over 120 l/h. The maximum pressure is 10 bar. The pump body is made of stainless steel. Its graphite bearings and stainless steel rotor make it suitable for a wide range of liquids. It has an adjustable bypass valve to protect it from temporary overpressure. The VP pump has been designed for performance, durability and produce low noise. It is NSF, EU 1935/2004 and GB4806 listed.

Refer to the instruction manual for installation details.
For more information, visit our website:
www.gotec.ch

Certifications

