

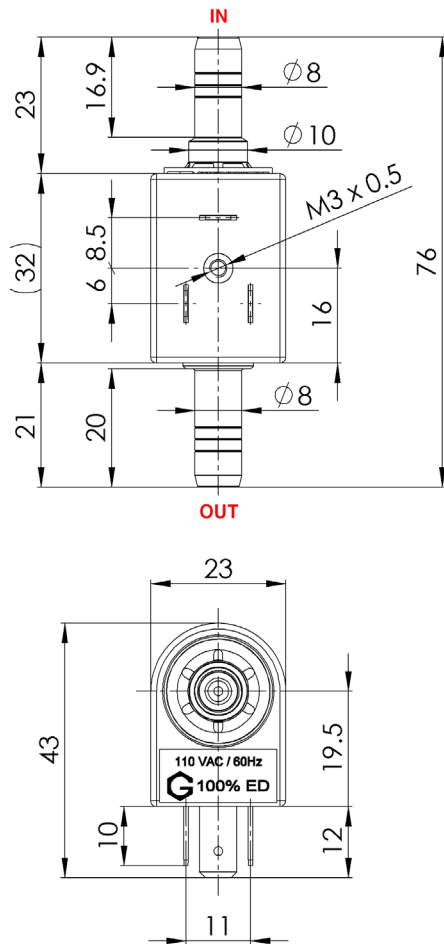
SOLENOID PUMP

EMX25

TECHNICAL DATA



DIMENSIONS



NOMINAL RATED DATA

Pressure (no flow)	≥ 2.5 [bar]
Open flow	≥ 12[l/h]
Viscosity range	1..600[mm ² /s]
Filter	Mesh 100
Voltages	230[V] (12, 24, 110V)
Frequencies	50, 60[Hz]
Electrical connection	3 x 6.3 x 0.8 [mm] DIN43650
Power	18[W]
Weight	~95[g]
Temperature	1..50[°C]
Insulation	Class F Class 1
	100% ED / 20 [°C]

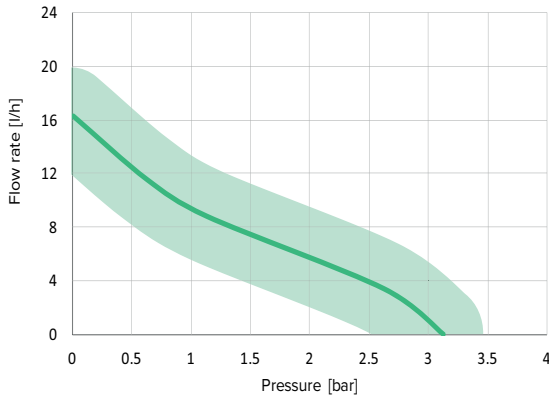
SOLENOID PUMP

EMX25 230V

TECHNICAL DATA

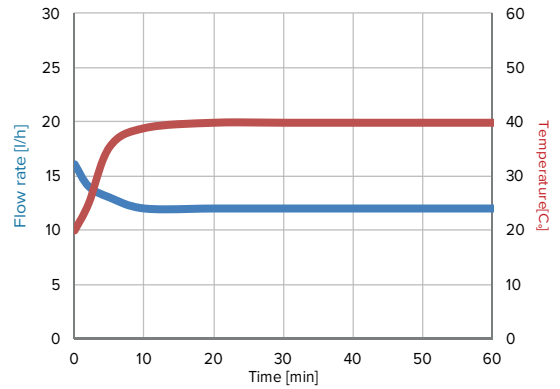


PERFORMANCES



Tested with 20°C of water at ambient temperature

FLOW RATE & TEMPERATURE



ACCESSORIES



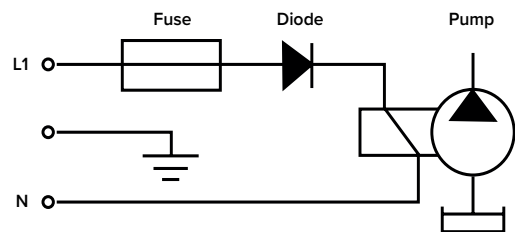
Heating sink



Mounting rubber

Large choice of materials & options

ELECTRIC WIRING DIAGRAM



Please refer to instruction manual for more installation details. For more information, visit our website : www.gotec.ch

Certifications

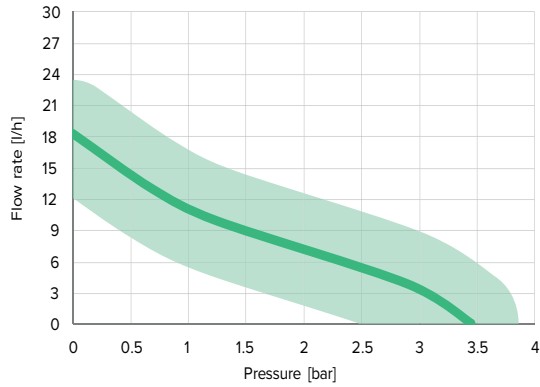


SOLENOID PUMP
EMX25 24VAC

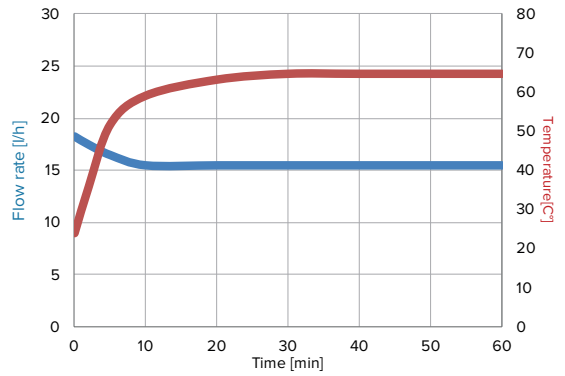
TECHNICAL
 DATA



PERFORMANCES



FLOW RATE & TEMPERATURE



Tested with 20°C of water at ambient temperature

ACCESSORIES



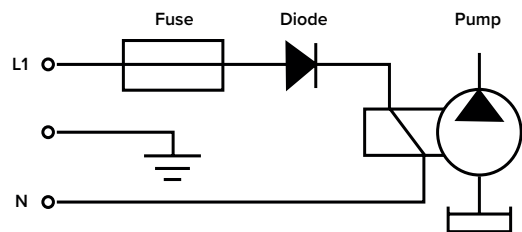
Heating sink



Mounting rubber

Large choice of materials & options

ELECTRIC WIRING DIAGRAM



Please refer to instruction manual for more installation details. For more information, visit our website : www.gotec.ch

Certifications



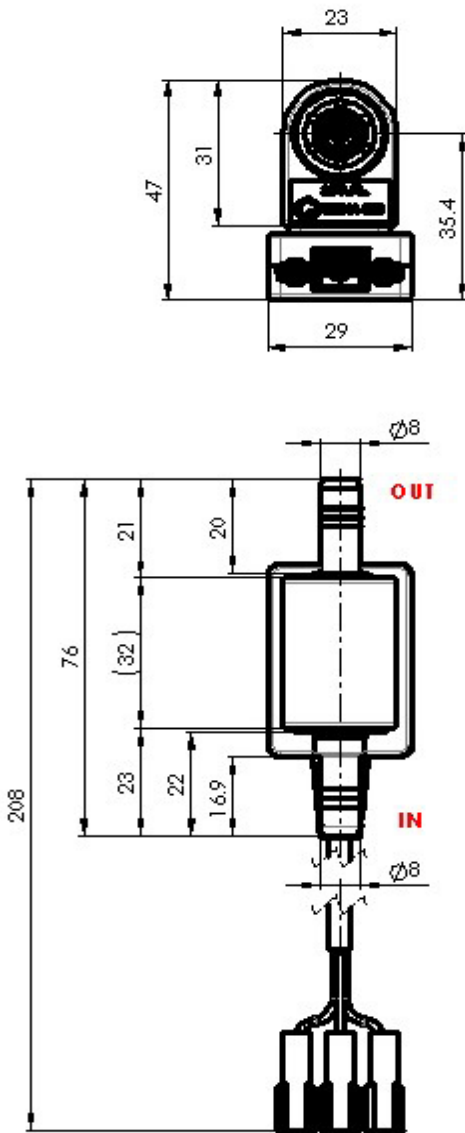
SOLENOID PUMP

EMX25 24VDC

TECHNICAL DATA



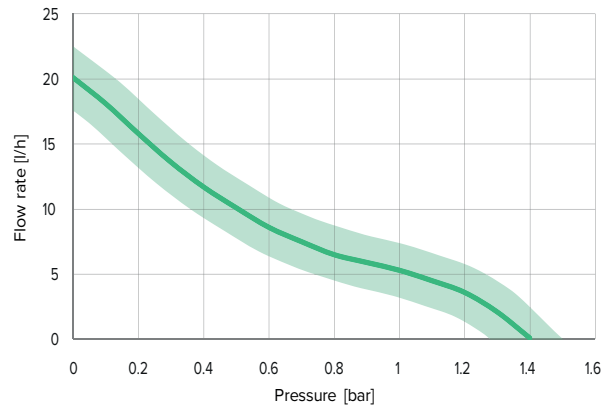
DIMENSIONS



DESCRIPTION

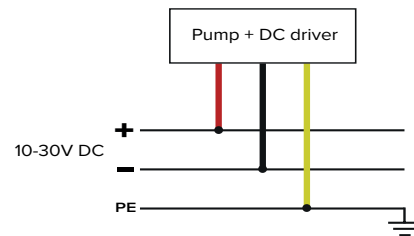
Pump is built with a DC driver to operate with DC voltage. This electronic converts DC voltage into a pulsed signal; the value of frequency and duty cycle are fixed to create the best performances of the pump. The flow can be adjusted via input voltage between 10 to 30 VDC.

PERFORMANCES



Tested with 20°C of water at ambient temperature with 24VDC

ELECTRIC WIRING DIAGRAM



Please refer to instruction manual for more installation details. For more information, visit our website : www.gotec.ch

Certifications

